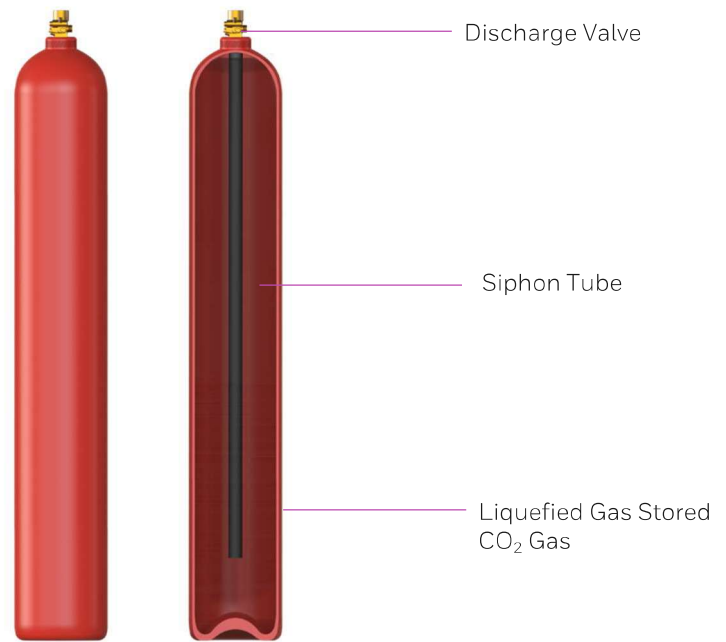


CO₂ CYLINDER

FIRE EXTINGUISHING SYSTEM

High Pressure Seamless Cylinder

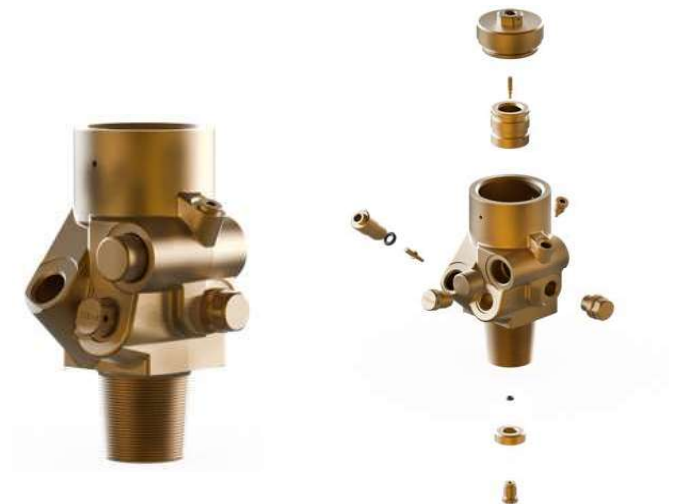
In high pressure CO₂ System, gas is stored as liquefied gas in seamless cylinder designed specifically for the application and charged to a fill density of between 0.55 kg/ltr. - 0.75 kg/ltr. (at max. ambient temperature 65°C and 40°C). To ensure optimal performance, each cylinder is pressurized with carbon dioxide to 58.6 bar at 21°C (850psi@70°F). An identification label is affixed to the cylinder body indicating the fill quantity of CO₂, charging pressure and date of fill. Many variations in cylinder capacities (Refer Table 2.2.) to select the best as per project requirement.



Typical seamless cylinder & valve assembly

Valve Assembly

The automatic release of CO₂ gas is controlled by a forged brass, differential pressure operated cylinder valve connected to the neck of the cylinder. Each cylinder and valve assembly are provided with a safety cap and a protection cap which is a safety feature to prevent uncontrolled, accidental discharge. Discharge valve assembly is available in size DN12.



General Arrangement of DN12 Discharge Valve

Approval



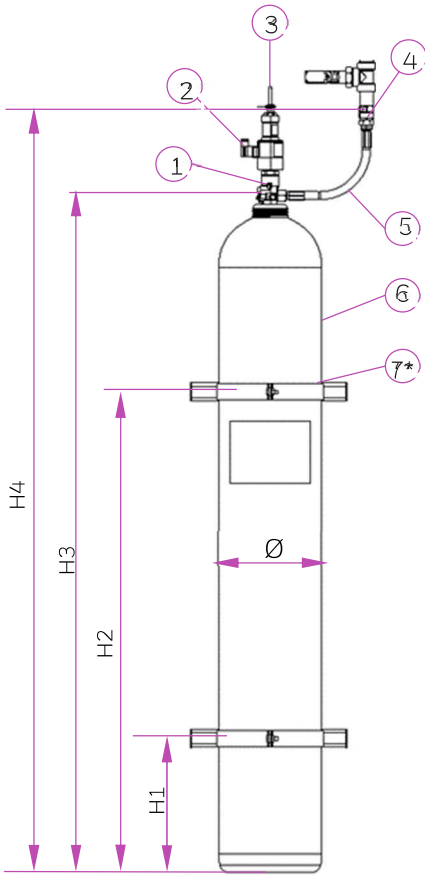


Table 2.3. Hardware for 67 & 80L High Pressure Cylinders

No.	Description	Part Number
1	DN12 Discharge Valve	HSN-VLV-C-1-12
2	Solenoid Actuator, 24V DC	HSN-ACT-S01
3	Manual Actuator	HSN-ACT-M01
4	Check Valve DN12, G3/4" x G3/4"	HSN-CHV-012
5	Discharge Hose DN12, L:400mm	HSN-DH-12-400
6.1	67L Seamless Cylinder, TPED	HSN-CO2-067-10E
6.2	80L Seamless Cylinder, TPED	HSN-CO2-080-10E
7.1	67L Seamless Cylinder Strap	HSN-STP-EU-SM-067
7.2	80L Seamless Cylinder Strap	HSN-STP-EU-SM-080

General Arrangement of Assembly of 67 & 80L System

*: It is changeable quantities according to the size of cylinders.

Table 2.4. Dimensions for 67 & 80L High Pressure Cylinders

Type	H1 (mm)	H2 (mm)	H3 (mm)	H4 (mm)	Ø (mm)
67L	358	1108	1513	1745	267
80L	345	1245	1753	1984	267

Honeywell Fire

Emaar Business Park, Sheikh
Zayed Road Building No. 2, 2nd
Floor, 201. PO. Box 232362
Dubai, United Arab Emirates
Tel: +971 44541704

For more information
www.honeywell.com

© 2024 Honeywell International Inc.

CO2 CYLINDER PAGE:2

**THE
FUTURE
IS
WHAT
WE
MAKE IT**

Honeywell